

Progressive Engineering Consultants, Inc.

P.O. Box 690638, Charlotte, NC 28227-7011

Telephone: (704) 545-7327

Fax: (704) 545-2315

progress@pecinc.net

Addendum No. 1
Request for Proposals for
115 kV – 13.2 / 7.62 kV Substation
Switching Facilities
City of Franklin, Virginia

By this Addendum, please be advised that the following modification(s) shall be made and included as part of the above-named Request for Proposal document dated October 31, 2023.

Section : Appendix

The attached drawings should substitute and/or replace select drawings included in original bid package.

One-Line Diagram
General Arrangement

Addendum Date: November 14, 2023

The Bidder is required to acknowledge receipt of this Addendum by signing and submitting it with the proposal.

CITY OF FRANKLIN
FRANKLIN, VIRGINIA

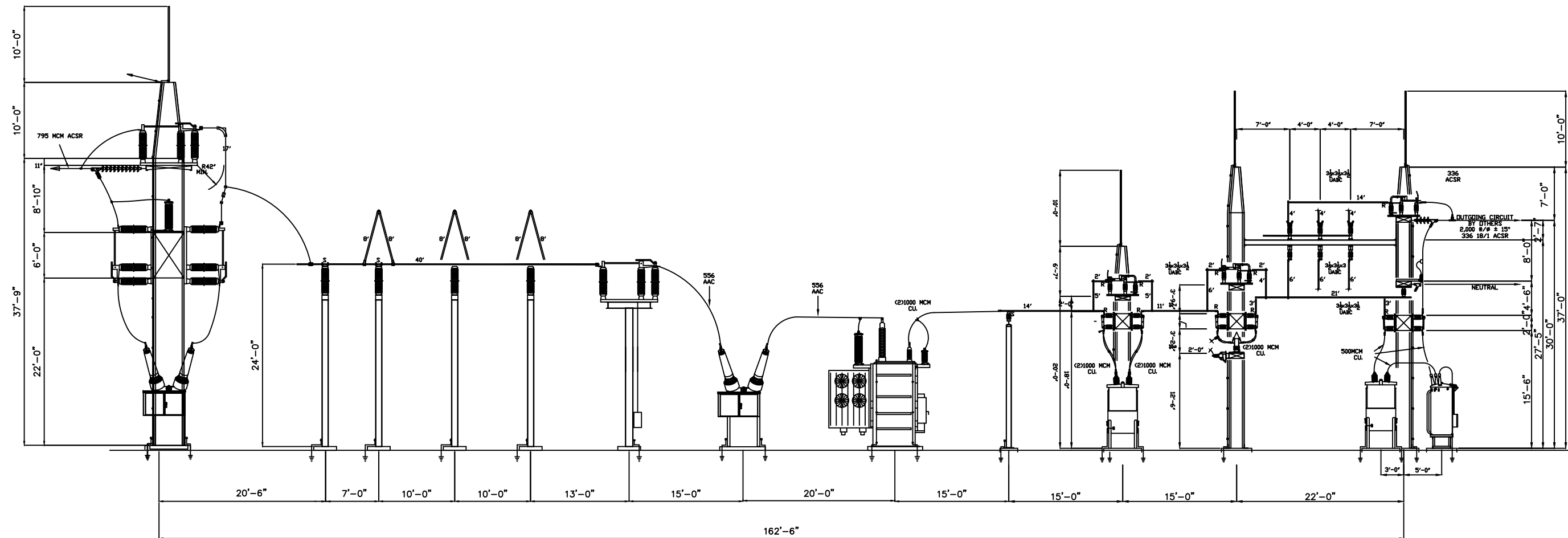
Bidder

Signature

Print Name

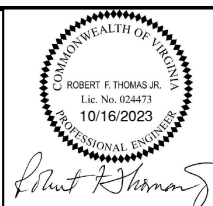
Title

Date



REVISIONS			REVISIONS		
NO.	DATE	DESCRIPTION	NO.	DATE	DESCRIPTION

PEEC
PROGRESSIVE ENGINEERING CONSULTANTS, INC.
 Complete Power Engineering Services
 P.O. BOX 690638
 CHARLOTTE, N.C. 28227
 OFFICE (704) 545-7327
 FAX (704) 545-2315

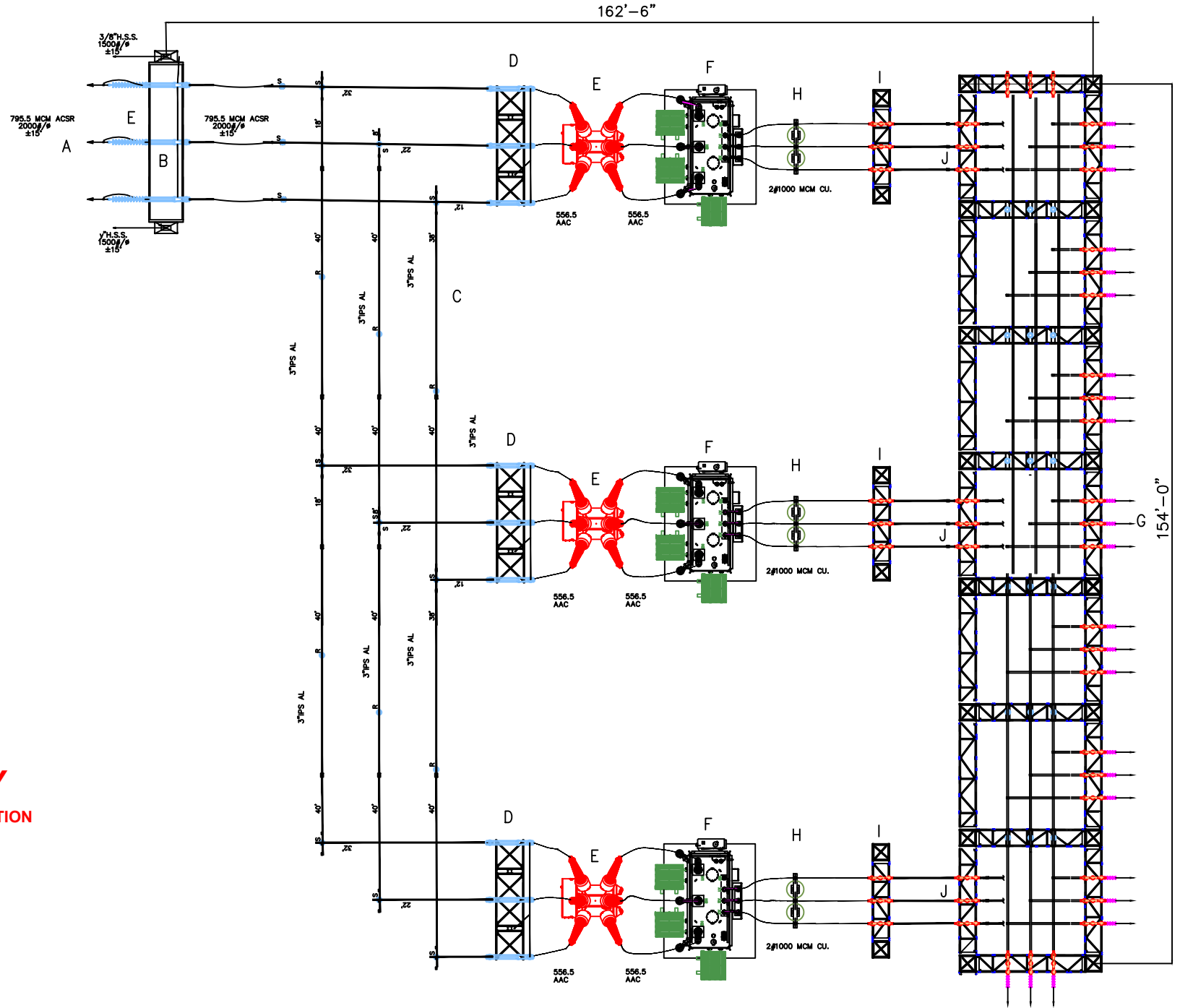


CITY OF FRANKLIN
 FRANKLIN, VIRGINIA
 115 KV - 13.2 / 7.62 kV
 GENERAL ARRANGEMENT

DRAWING NO.
 140-08-01
 SHEET NO.
 2 OF 2

- A - 115 KV LATTICE DEADEND STRUCTURE
- B - 115 KV INCOMING HIGH SIDE SWITCH
- C - 600 AMP TUBULAR BUS
- D - 115 KV MOTOR OPERATED DISCONNECT SWITCH
- E - 115 KV CIRCUIT BREAKER (NOT SHOWN UNDERNEATH HIGH SIDE STRUCTURE) (BY OTHERS)
- F - 25 MVA POWER TRANSFORMER (BY OTHERS)
- G - 15 KV SWITCHING STATION
- H - 15 KV WIDE FLANGE (6" MIN.), 3 PHASE BUS SUPPORT (MINIMUM OF 9 REQ'D)
- I - 15 KV BUS BREAKER STRUCTURE
- J - METERING EQUIPMENT
- K - 15 KV STRUCTURE

PRELIMINARY
DO NOT USE FOR CONSTRUCTION



PLAN VIEW

NTS

REVISIONS			REVISIONS		
NO.	DATE	DESCRIPTION	NO.	DATE	DESCRIPTION

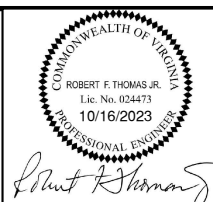
PEC

PROGRESSIVE ENGINEERING CONSULTANTS, INC.
Complete Power Engineering Services
P.O. BOX 690638
CHARLOTTE, N.C. 28227

OFFICE
(704) 545-7327

SCALE: NTS
DATE ISSUED: 10/16/2023
DESIGNED BY: RFT
DRAWN BY: RFT
CHECKED BY: RFT
APPROVED BY: RFT

FAX
(704) 545-2315

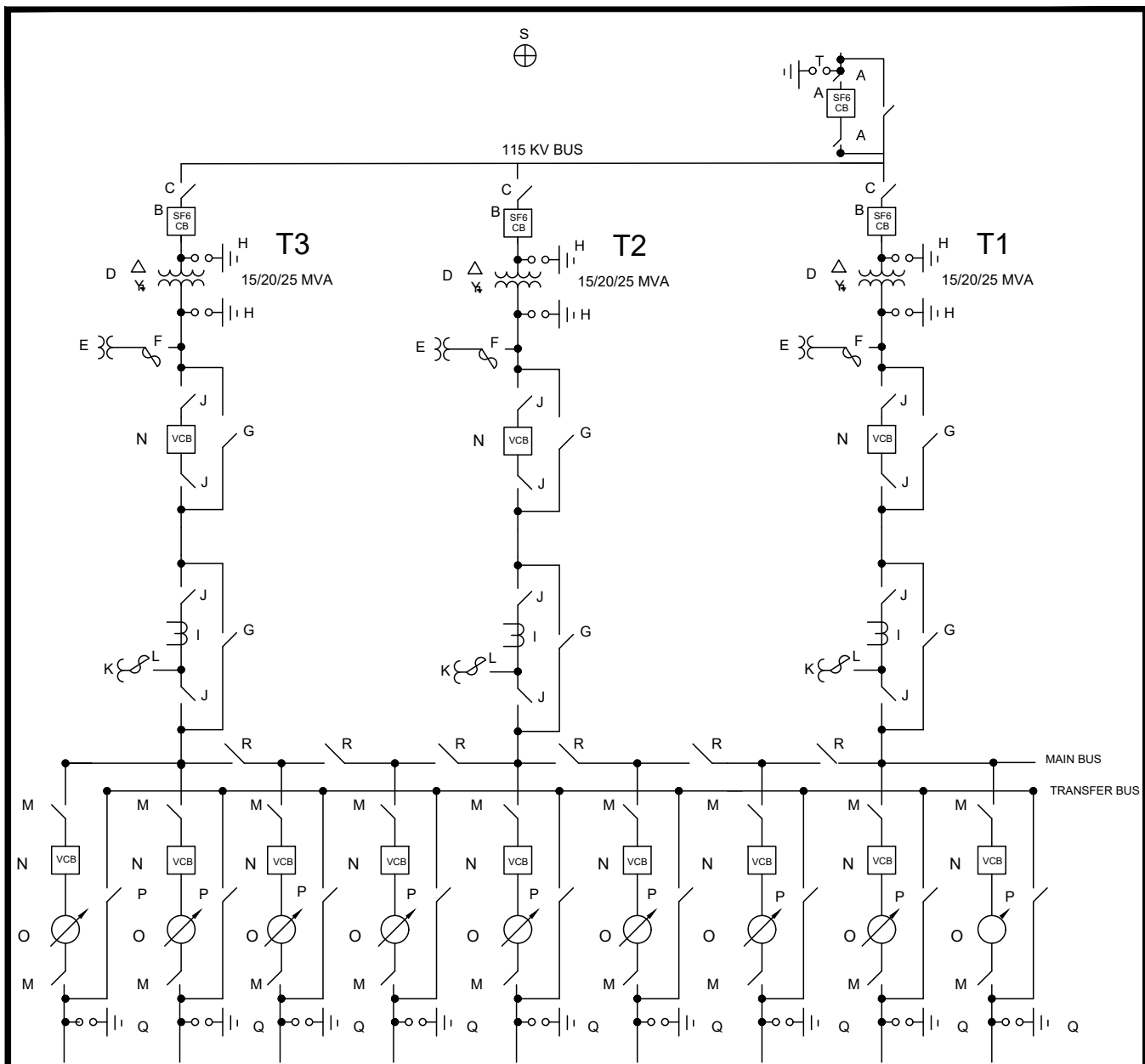


CITY OF FRANKLIN
FRANKLIN, VIRGINIA

115 KV - 13.2 / 7.62 kV
GENERAL ARRANGEMENT

DRAWING NO.
140-08-01

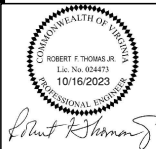
SHEET NO.
1 OF 2



LEGEND


- | | |
|--|---|
| A. 115KV CIRCUIT BREAKER (BY OTHERS) AND BYPASS SWITCHES | K. POTENTIAL TRANSFORMERS |
| B. 115KV CIRCUIT BREAKER (BY OTHERS) | L. FUSED CUTOUT/CURRENT LIMITING FUSE COMBINATION |
| C. 115KV MOTOR OPERATED SWITCH | M. HOOKSTICK DISCONNECT SWITCH |
| D. POWER TRANSFORMER (BY OTHERS) | N. VACUUM CIRCUIT BREAKER (BY OTHERS) |
| E. STATION SERVICE TRANSFORMER | O. VOLTAGE REGULATOR (BY OTHERS) |
| F. FUSED CUTOUT/CURRENT LIMITING FUSE COMBINATION | P. GROUP OPERATED BYPASS SWITCH |
| G. GROUP OPERATED SWITCH | Q. DISTRIBUTION TYPE LIGHTNING ARRESTER |
| H. STATION TYPE LIGHTNING ARRESTERS | R. GROUP OPERATED TIE SWITCH |
| I. CURRENT TRANSFORMERS | S. GALVANIZED STEEL STATIC MAST |
| J. HOOKSTICK DISCONNECT SWITCHES | T. STATION TYPE LIGHTNING ARRESTERS |

NOTES
REFER TO SPECIFICATIONS FOR EQUIPMENT DESCRIPTIONS.



PRELIMINARY

DO NOT USE FOR CONSTRUCTION

DRAWING NO. ONLINEDWG	SCALE: N.T.S.	 PROGRESSIVE ENGINEERING CONSULTANTS, INC. Complete Power Engineering Services P.O. BOX 690638 CHARLOTTE, N.C. 28227 OFFICE (704) 545-7327 FAX (704) 545-2315	CITY OF FRANKLIN FRANKLIN, VIRGINIA 115-12.47/7.2kV SUBSTATION ONE-LINE DIAGRAM
	DATE ISSUED: 11/11/23		
SHEET NO. 1 OF 1	DESIGNED BY: RFT		
	DRAWN BY: RFT		
	CHECKED BY: RFT		
	APPROVED BY: RFT		